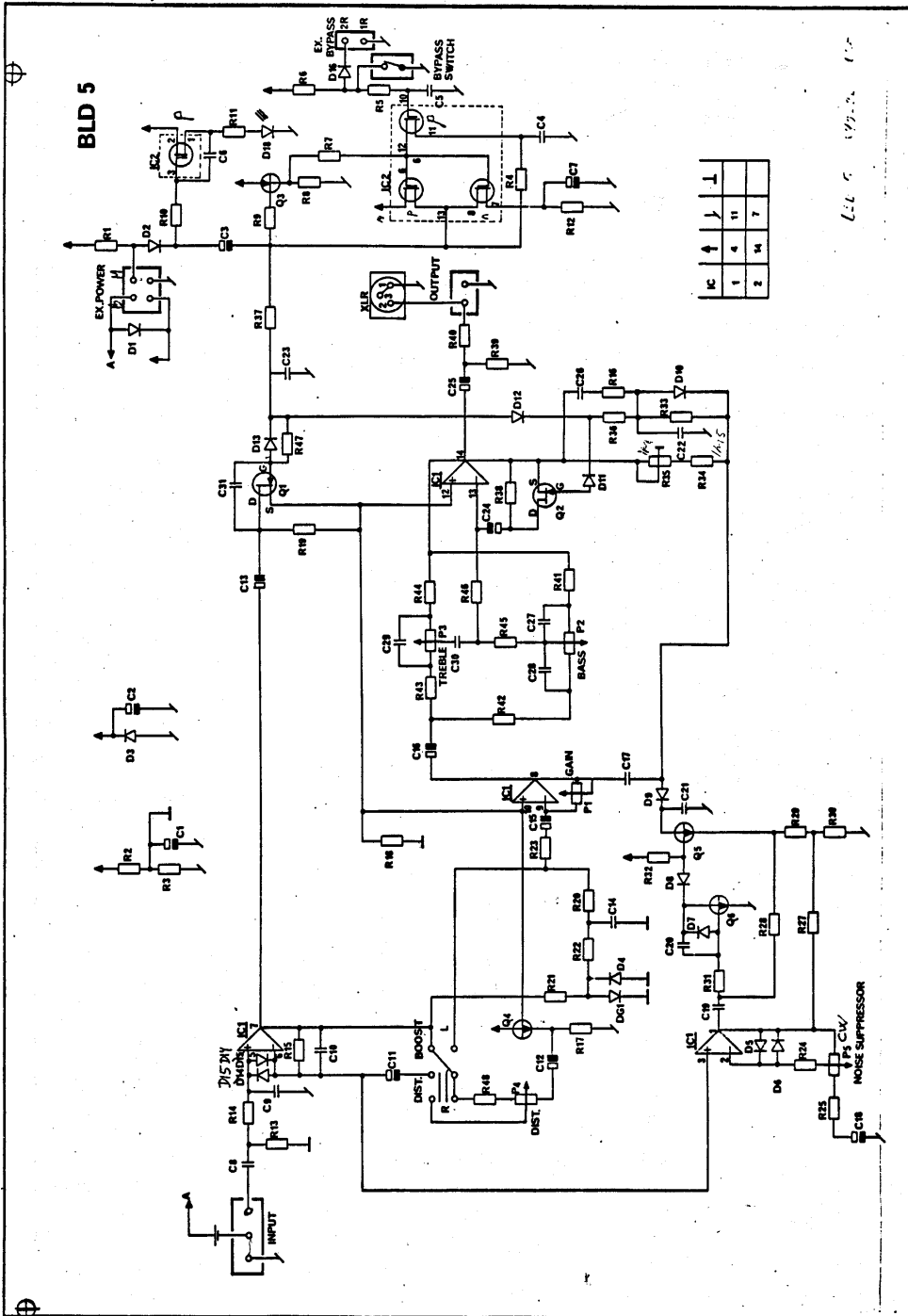


SERVICE

TC Booster⁺
Linedriver & Distortion

OF DENMARK
t.c. electronic

BLD 5



197-2 (15)

DATE	DRG.	APP.	TITLE	DRG. NO.
840222	BRH	FAJ	SCHEMATIC TC BLD	1501-3

RESISTORS

R 1	6.8 MOhm	R21	4,7 KOhm	R41	1,5 KOhm
R 2	47 KOhm	R22	10 KOhm	R42	1,5 KOhm
R 3	47 KOhm	R23	1,5 KOhm	R43	2,2 KOhm
R 4	3,3 MOhm	R24	10 KOhm	R44	1 KOhm
R 5	1 MOhm	R25	100 Ohm	R45	10 KOhm
R 6	1 MOhm	R26	NOT USED	R46	10 KOhm
R 7	220 KOhm	R27	1 MOhm	R47	10 MOhm
R 8	220 KOhm	R28	47 KOhm	R48	22 KOhm
R 9	1 MOhm	R29	470 KOhm		
R10	470 KOhm	R30	10 KOhm		
R11	1,5 KOhm %W	R31	4,7 KOhm		
R12	10 KOhm	R32	1 MOhm		
R13	1 MOhm	R33	6,8 MOhm		
R14	2,2 KOhm	R34	680 KOhm		
R15	470 KOhm	R35	2,2 MOhm		
R16	220 Ohm	R36	6,8 MOhm		
R17	33 KOhm	R37	1 MOhm		
R18	10 KOhm	R38	1 MOhm		
R19	3,3 MOhm	R39	10 KOhm		
R20	10 KOhm	R40	47 Ohm		

CAPACITORS

C 1	22 uF	16V	ellvt	C16	2,2 uF	50V	ellvt
C 2	10 uF	35V	ellvt	C17	10 nF		plac.
C 3	1 uF	50V	tantal	C18	1 uF	50V	ellvt (mini)
C 4	10 nF		plac.	C19	100 nF	20%	poly. (2e)
C 5	1 nF		plac.	C20	470 pF		plac.
C 6	33 nF	20%	poly. (2e)	C21	10 nF		plac.
C 7	1 uF	50V	ellvt (mini)	C22	10 nF		plac.
C 8	47 nF	20%	poly. (2e)	C23	47 nF	20%	poly. (2e)
C 9	220 pF		plac.	C24	1 uF	50V	ellvt
C10	220 pF		plac.	C25	22 uF	16V	ellvt
C11	1 uF	50V	ellvt (mini)	C26	10 nF		plac.
C12	1 uF	50V	ellvt	C27	100 nF	10%	poly. (2e)
C13	4,7 uF	35V	ellvt	C28	100 nF	10%	poly. (2e)
C14	10 nF	10%	poly. (2e)	C29	1 nF		plac.
C15	10 uF	16V	ellvt (mini)	C30	6,8 nF	20%	poly. (2e)
				C31	220 pF		plac.

POTENTIOMETERS

2813047K

P 1	47 KOhm LOG
	(GAIN)
P 2	22 KOhm LIN
	(BASS)
P 3	100 KOhm LIN
	(TREBLE)
P 4	22 KOhm NEGL OG
	(DIST.)
P 5	470 KOhm LOG
	(THRESHOLD)

TRANSISTORS

Q 1	BF 245-A
Q 2	BF 245-A
	(Selected)
Q 3	BC 558-B
Q 4-6	BC 548-B

DIODES

D 1	1N4001
D 2-17	1N4148
D18	SBR 3431 (red 3mm)
D6 1	AA/119

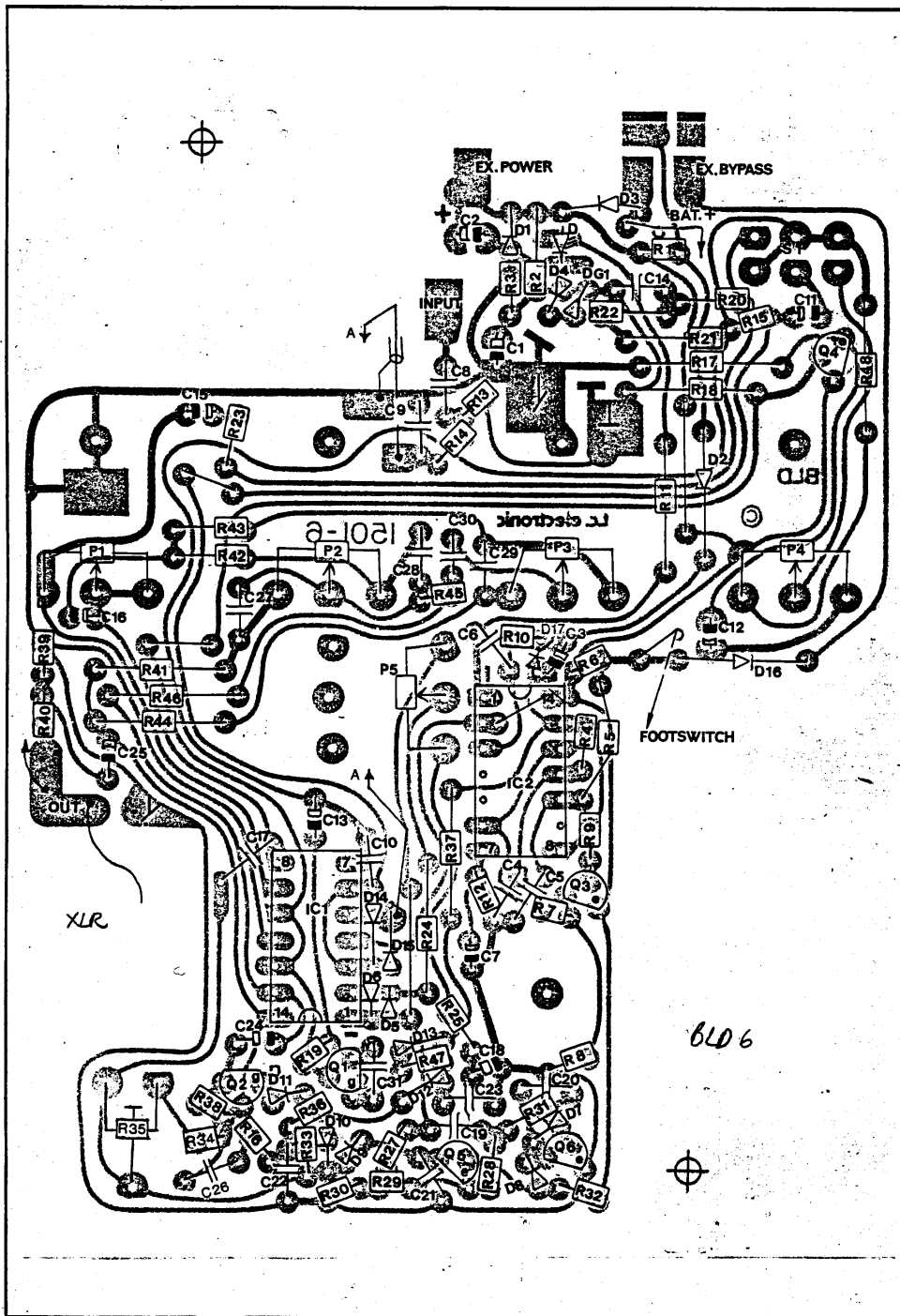
INTEGRATED CIRCUITS

IC 1	7741 selected (GRI)
IC 2	HEF 4007 LBP

841026/JF

PAGE 1 OF 1

DATE <i>7.12.01</i>	ORG. <i>VF</i>	APP.	TITLE PARTS LIST BOOSTER LINED. +DISTORTION	DWG NO. 1501-06
SCALE			UNIT	PART OF



DATE 820729	DRG. 5F	APP. BRH KR	TITLE BLD PARTS LAYOUT	DRG. NO. 1501-6
RS1023 TH.			SCALE	MAT.
			PART OF	OF DENMARK